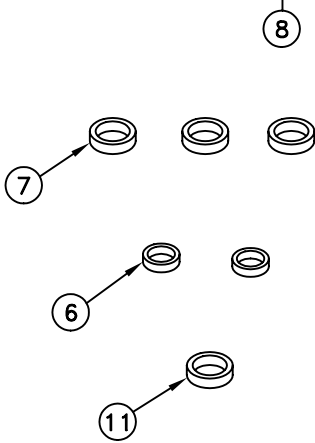
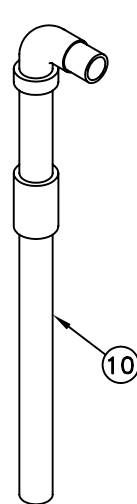
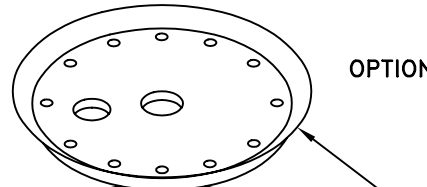
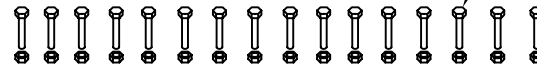
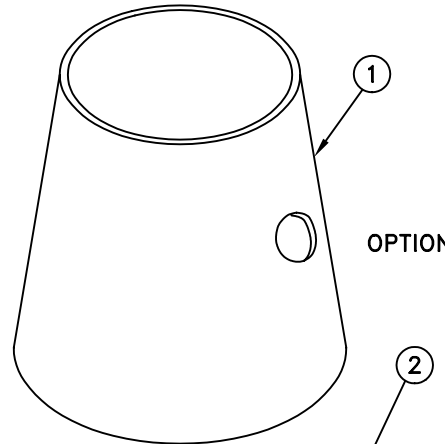
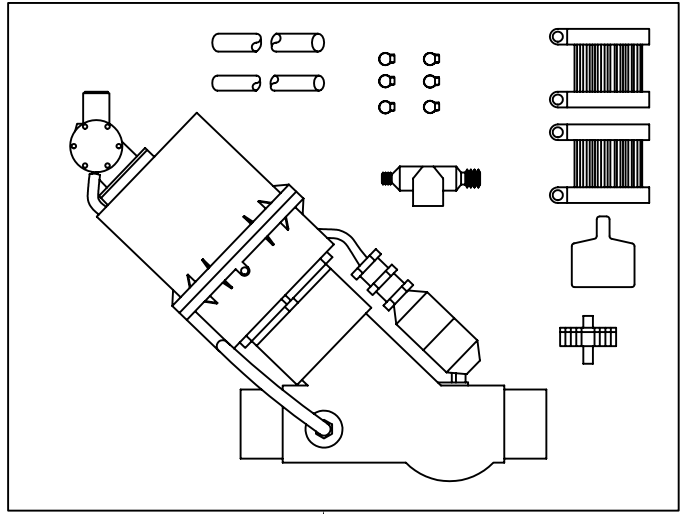


STANDARD AIRVAC PACKAGE



OPTION

OPTION

NO.	PART NO.	QTY.
1	VPC W/3" OPENING	1
2	B38 3/8" SS BOLTS	16
3	VPBHD PIT BOTTOM	1
4	FIB30TG 30" DEEP TANK	1
	FIB54TG 54" DEEP TANK	
5	CS24-30 or CS24-54	1
6	GROM 3 3" GROMMET	2
7	GROM 4 4" GROMMET	3
8	AVD3-D	1
9	VPBSEAL	1
10	SP30 30" DEEP TANK	1
	SP54 54" DEEP TANK	
11	GROM 3/4 3/4" GROMMET	1

AVD3-83/40-30 or 54

STANDARD PACKAGE FOR AIRVAC DRAWING #40, COMBINED VALVE PIT AND TAPERED HOLDING TANK WITH EXTERNAL VENTING DIAGRAM WITH PARTS LIST